

Broil King®



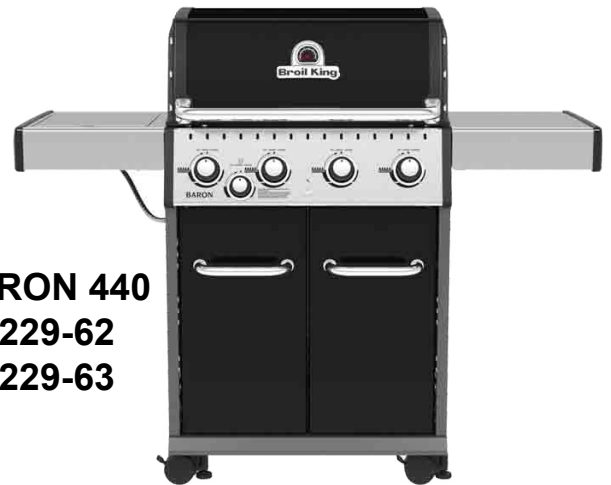
BARON S490
9225-82
9225-83
9225-43
9225-42



BARON 490
9229-82
9229-83



BARON S440
9225-62
9225-63



BARON 440
9229-62
9229-63



BARON S420
9225-52
9225-53

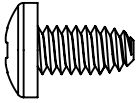
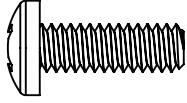

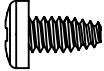
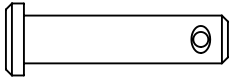
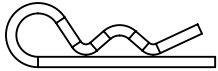
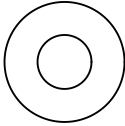
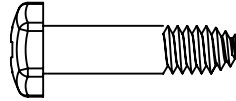
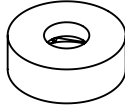
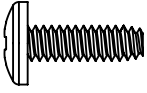

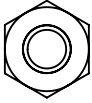


BARON 420
9229-52
9229-53

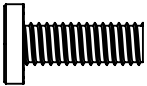
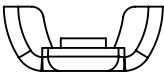


POËÜÖY OEÛÒÁÐ ÔŠWÖÖÖ



YËGÌÍ  ϕF	YËGF€  $\phi \acute{A}$	ÛGFFG  ϕi
YËGJH  ϕG	ÛGFHÍ  ϕG	ÛGFHH  ϕG
YËGÍÏ  ϕl	YËFÍÍF  ϕG	YËFGI  ϕG
ÛHÍ€J  ϕF	GEEÉÍ EEE  ϕF	
YËFÍJH  ϕl		

- &&-!, &ž ' ž * '#- &&)!, &ž ' ž *

ÛHÍ€Í  ϕG	ÛGFÉF  ϕG
----------------------------------------------------------------------------------------------------	----------------------------------------------------------------------------------------------------

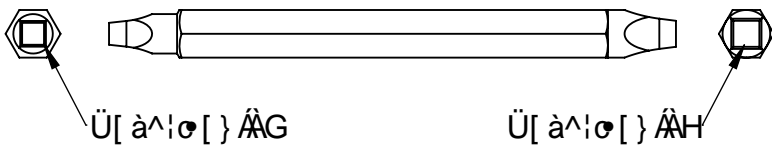


VUUŠÙÁÛÒÛWÖÛÖÖ

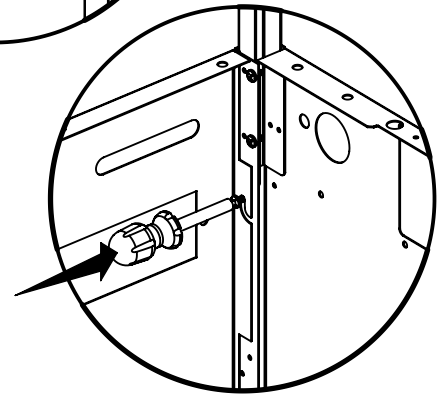
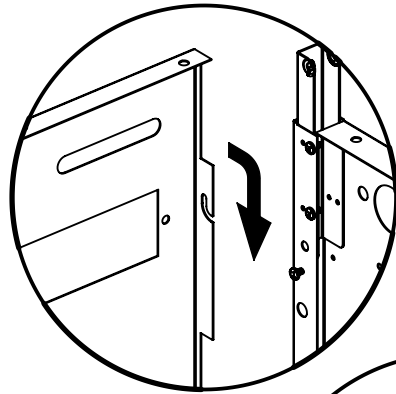
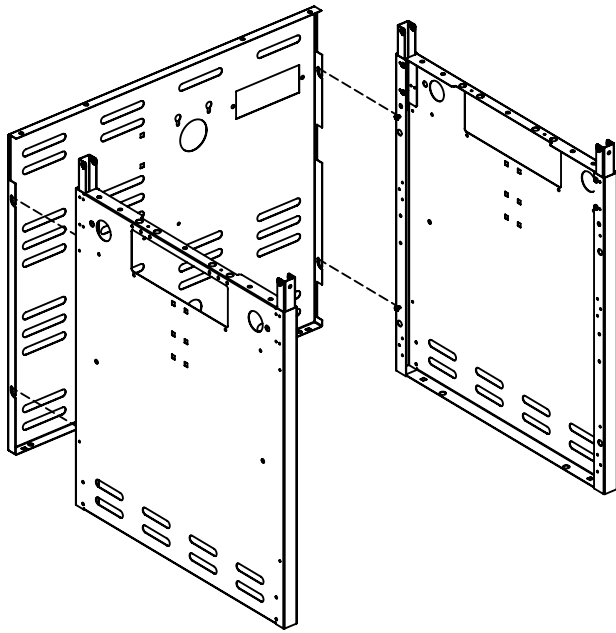


YËFGGH

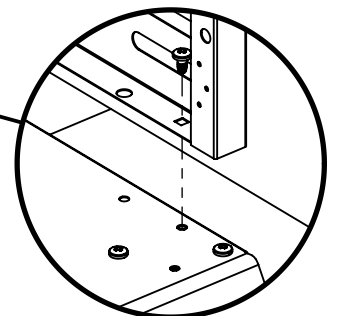
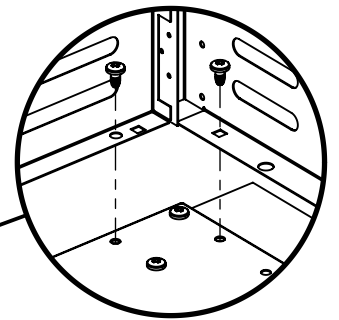
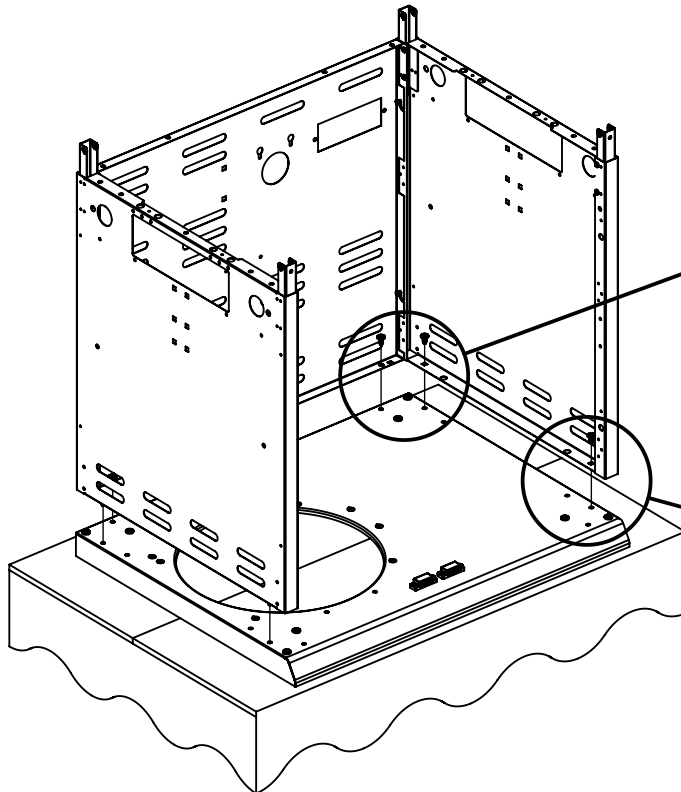
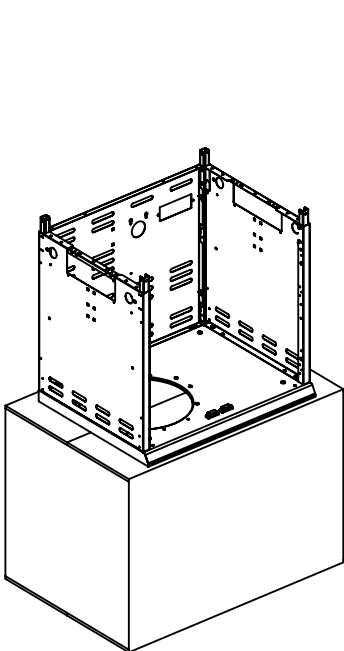
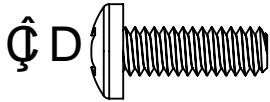
ÏHÍÄ

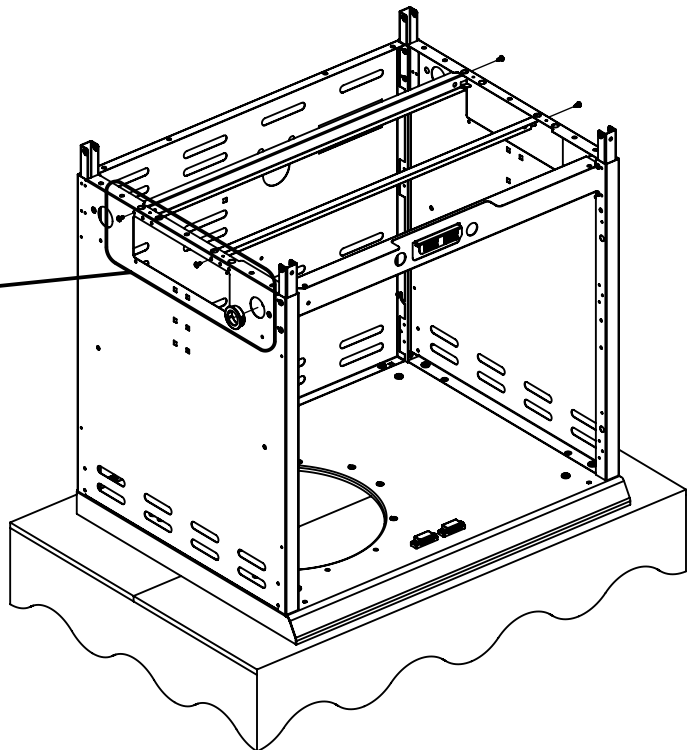
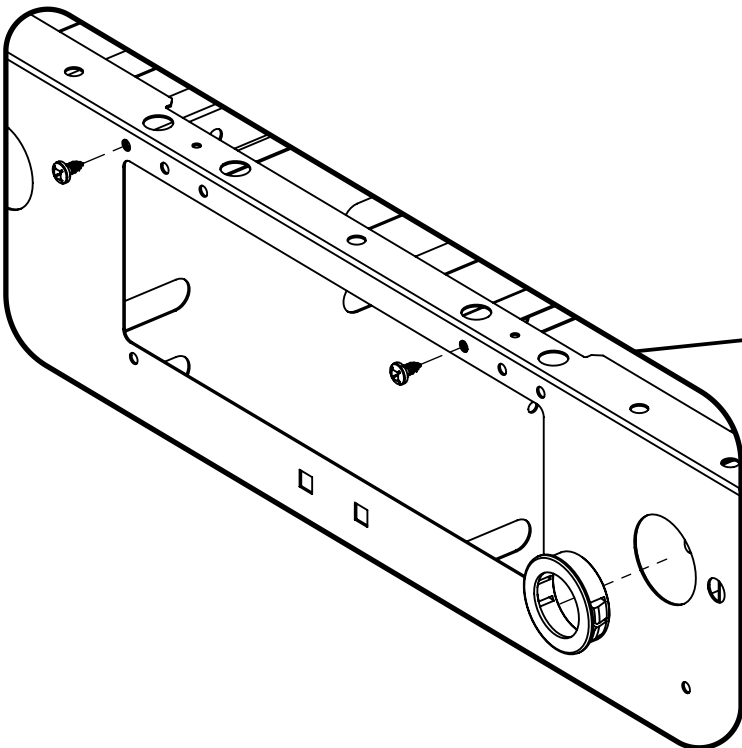
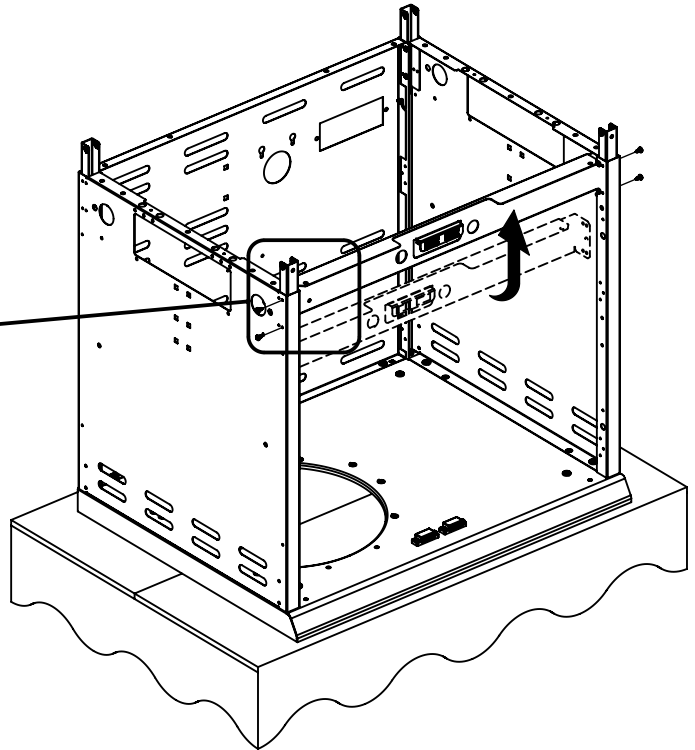
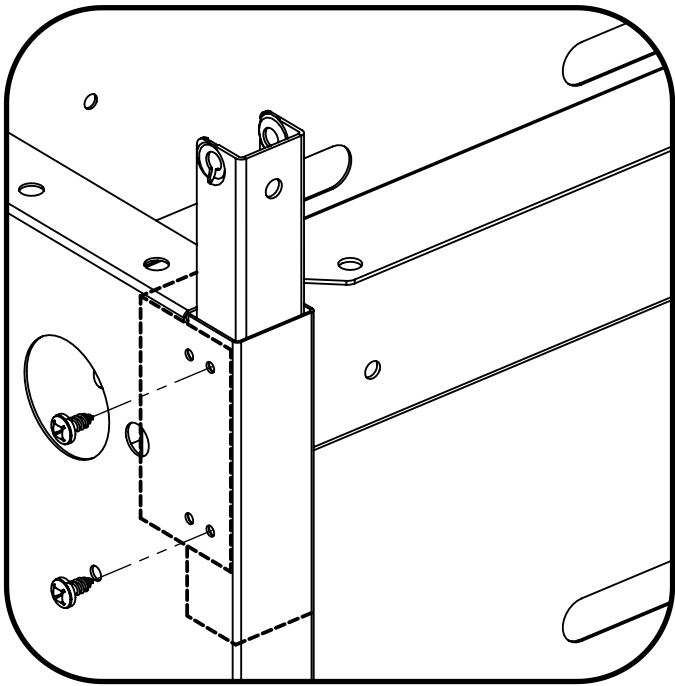
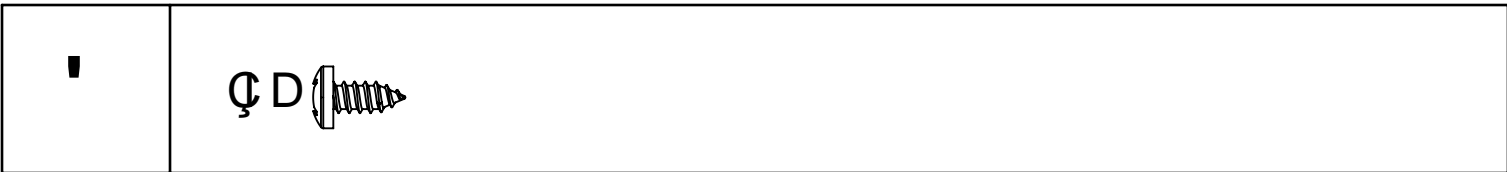


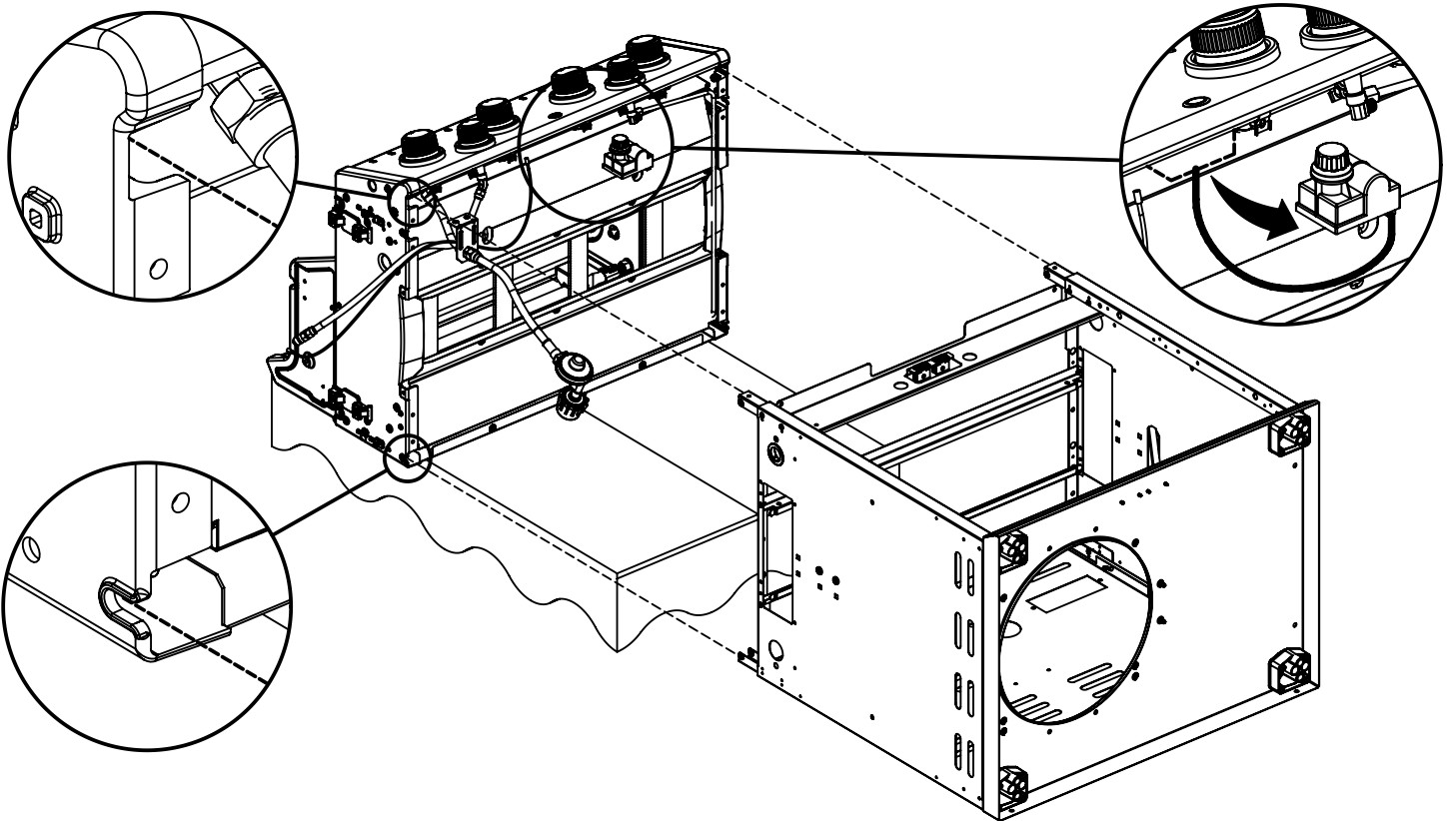
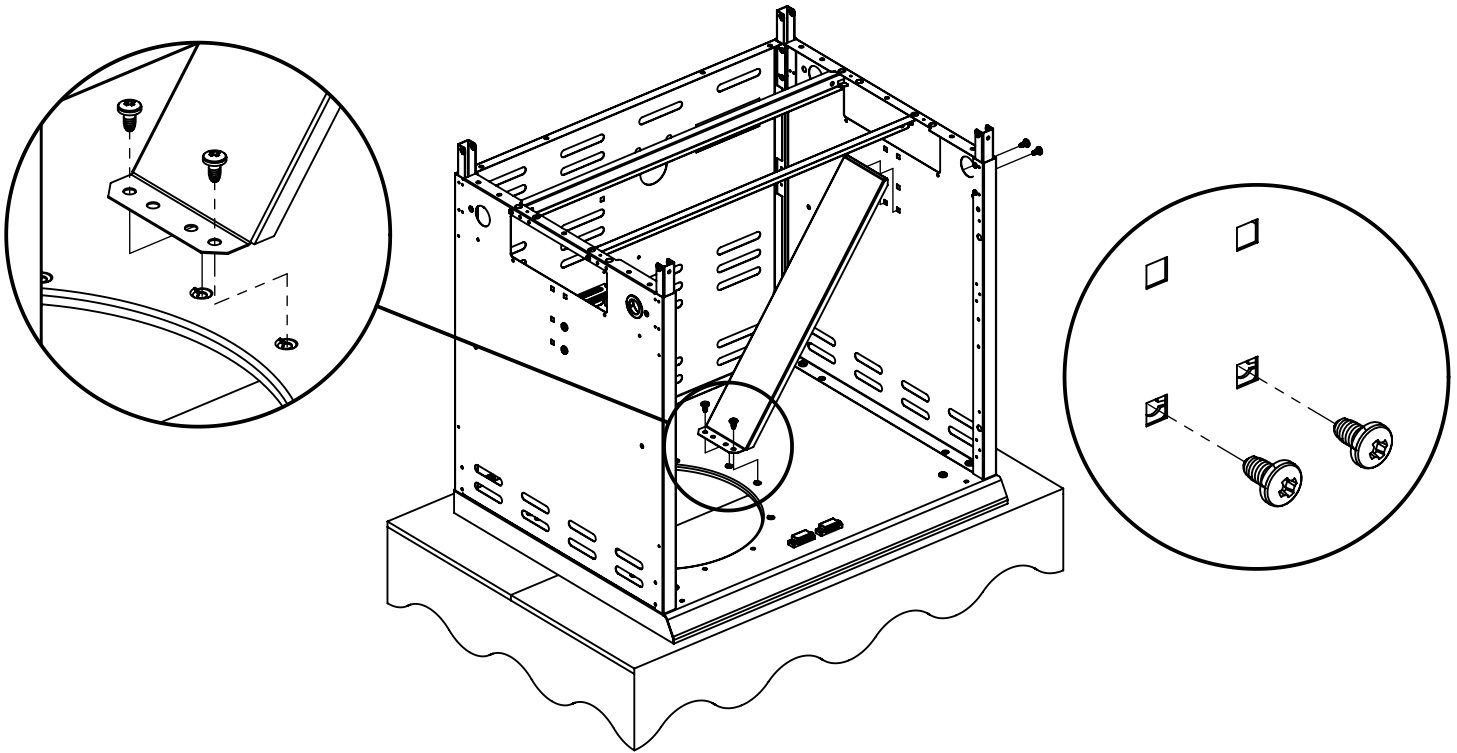
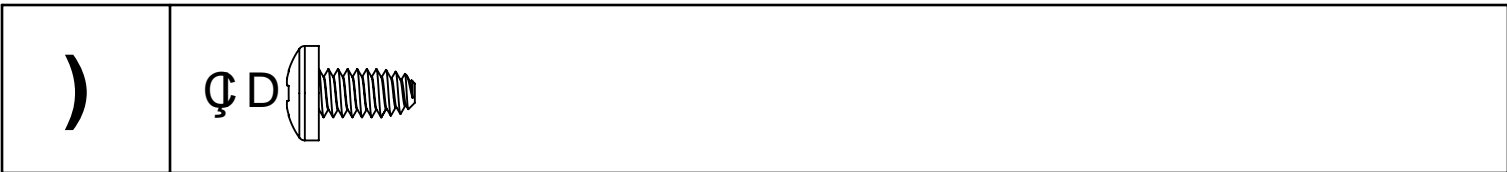
%

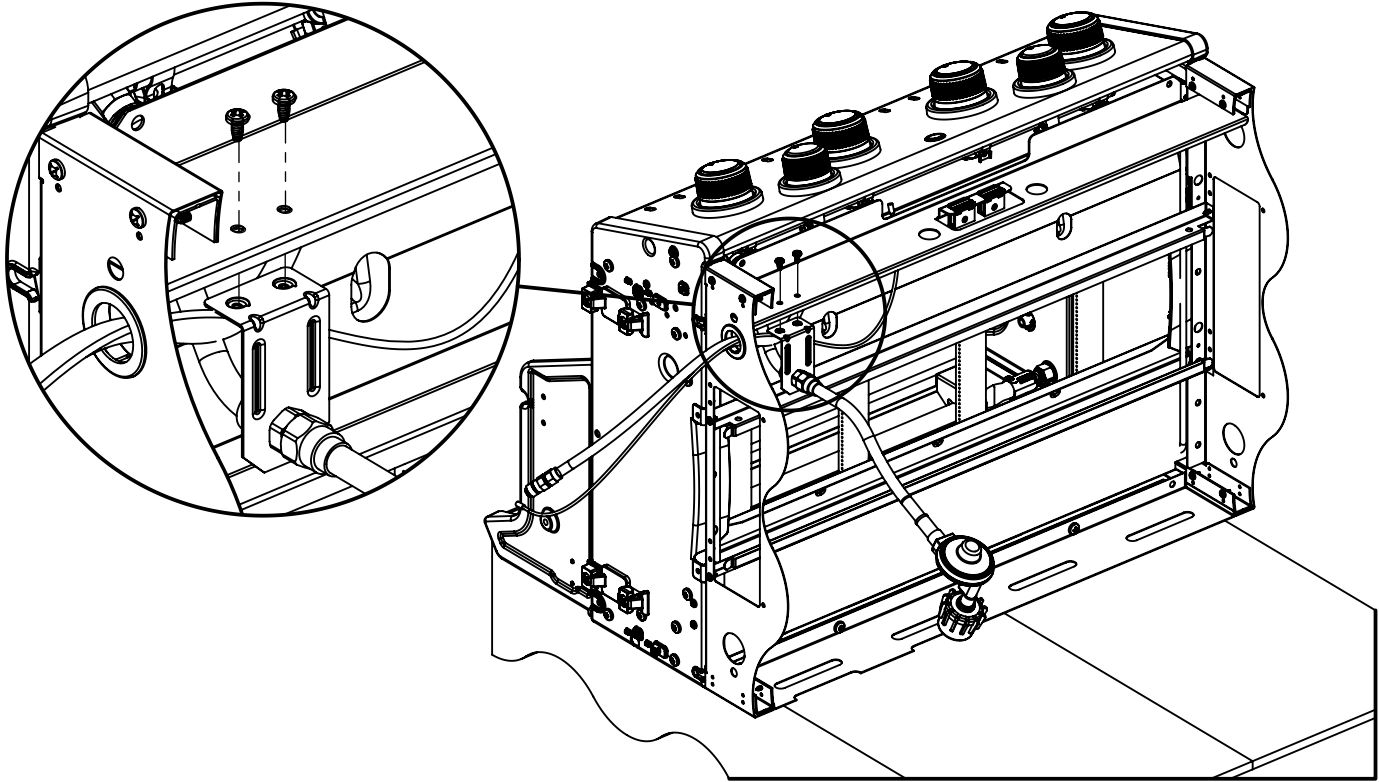
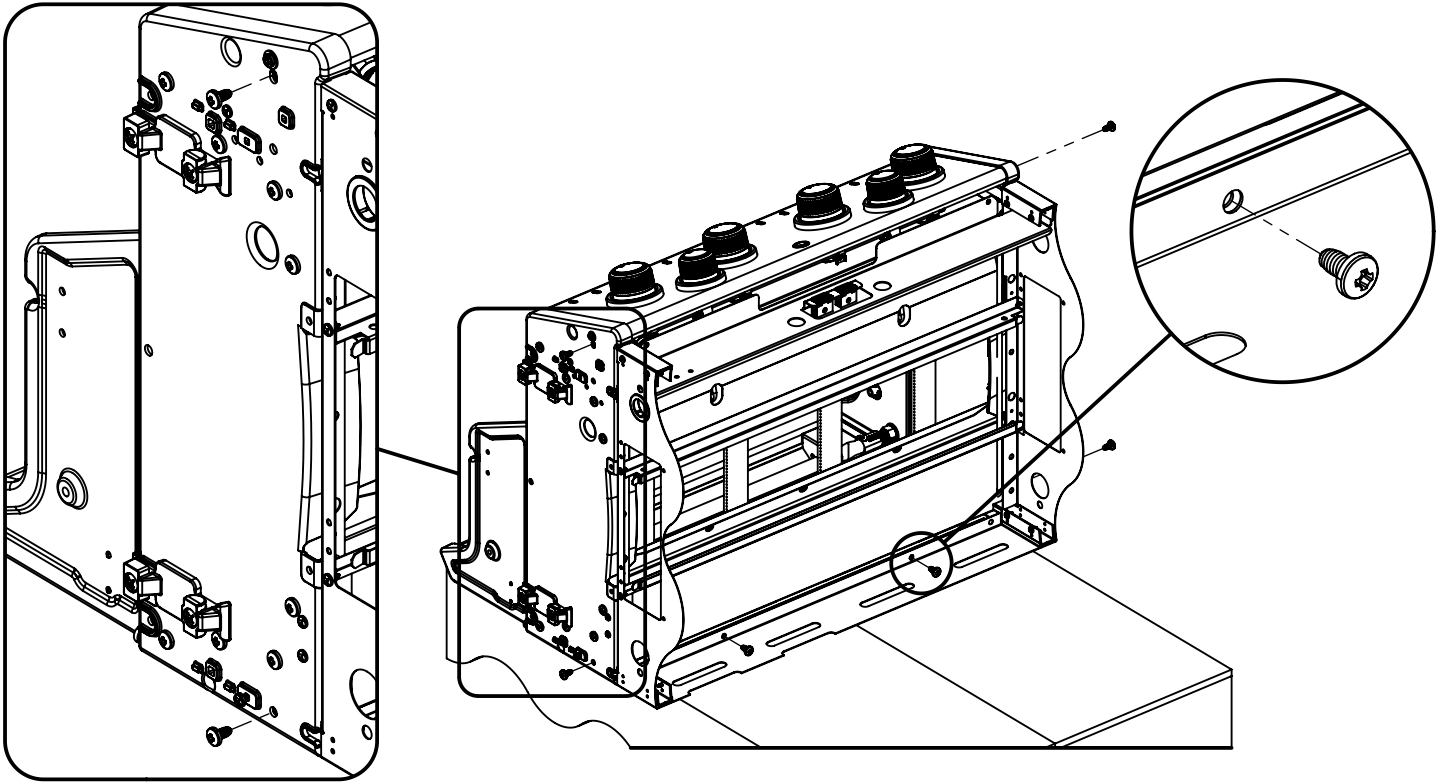


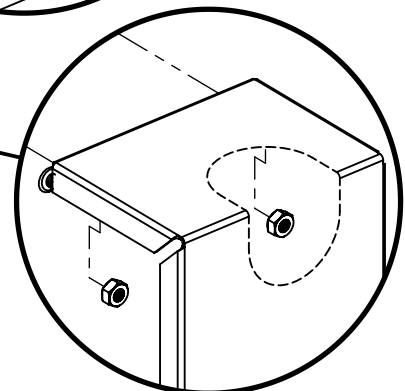
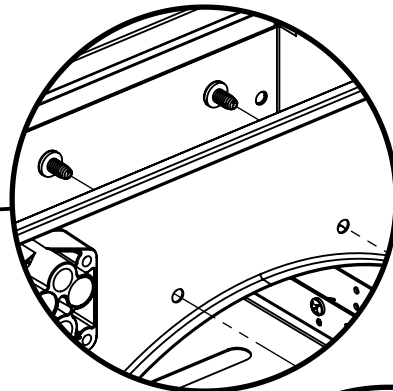
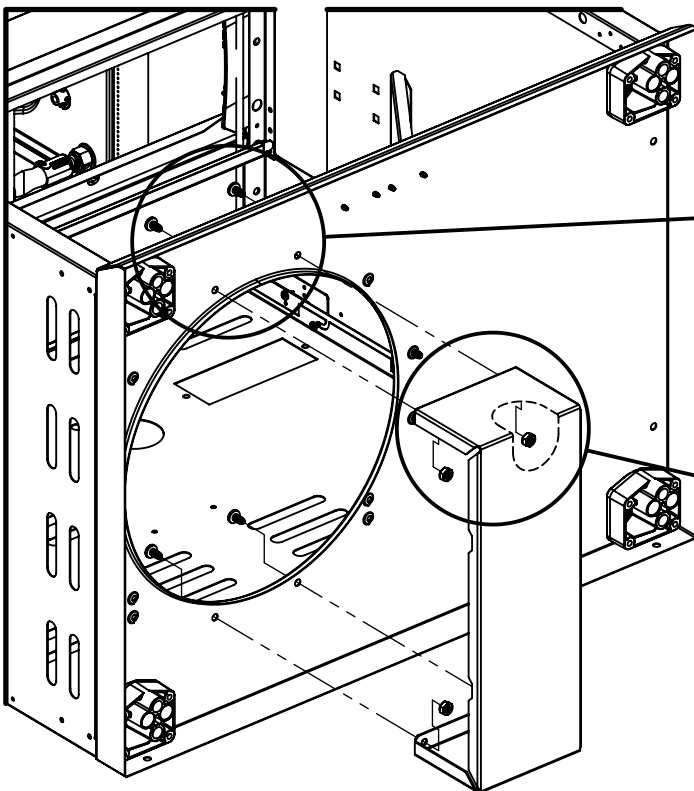
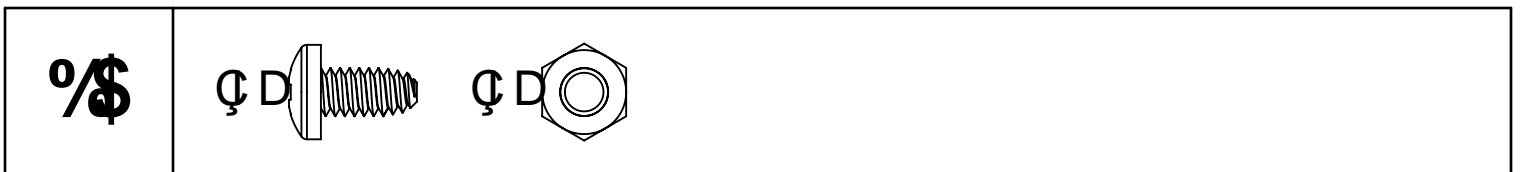
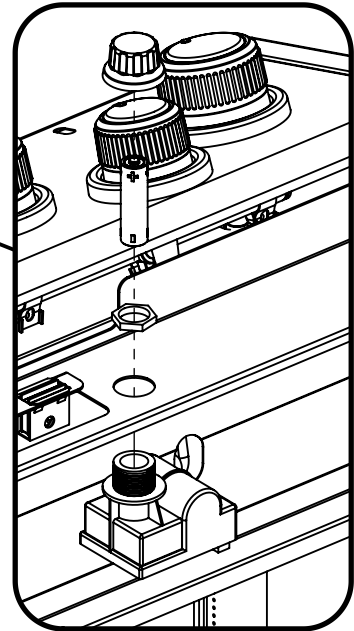
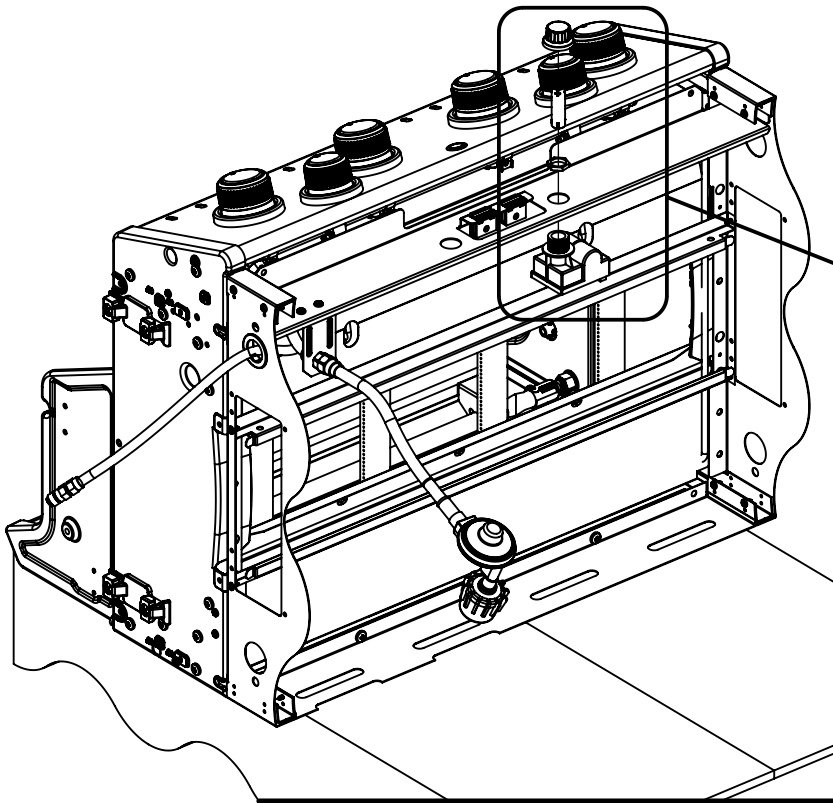
&

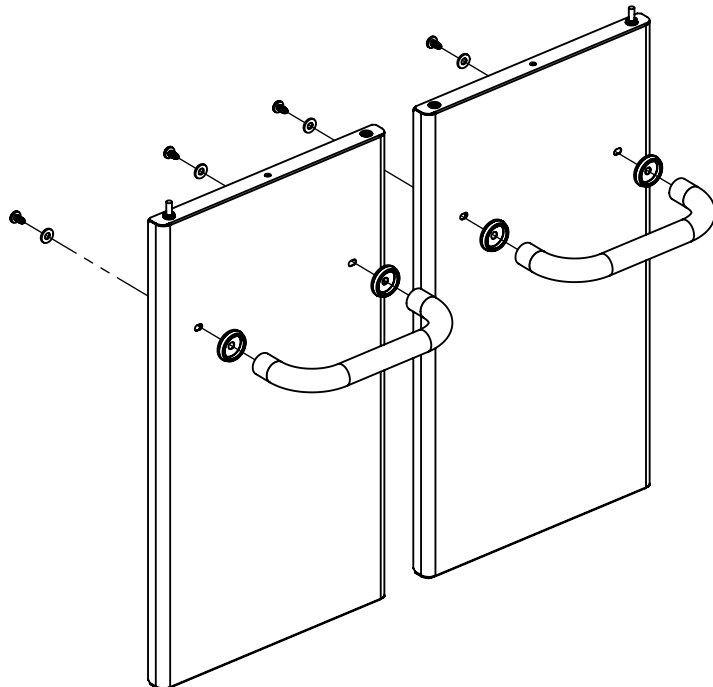
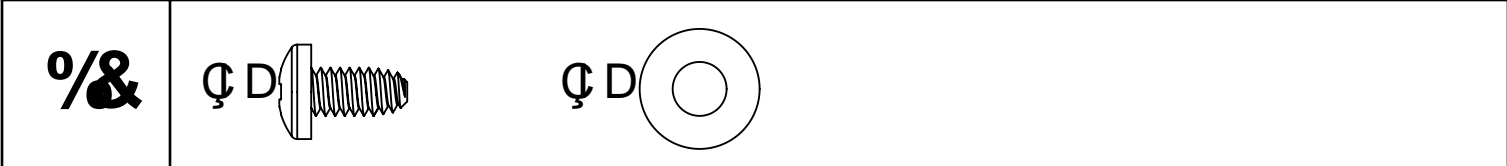
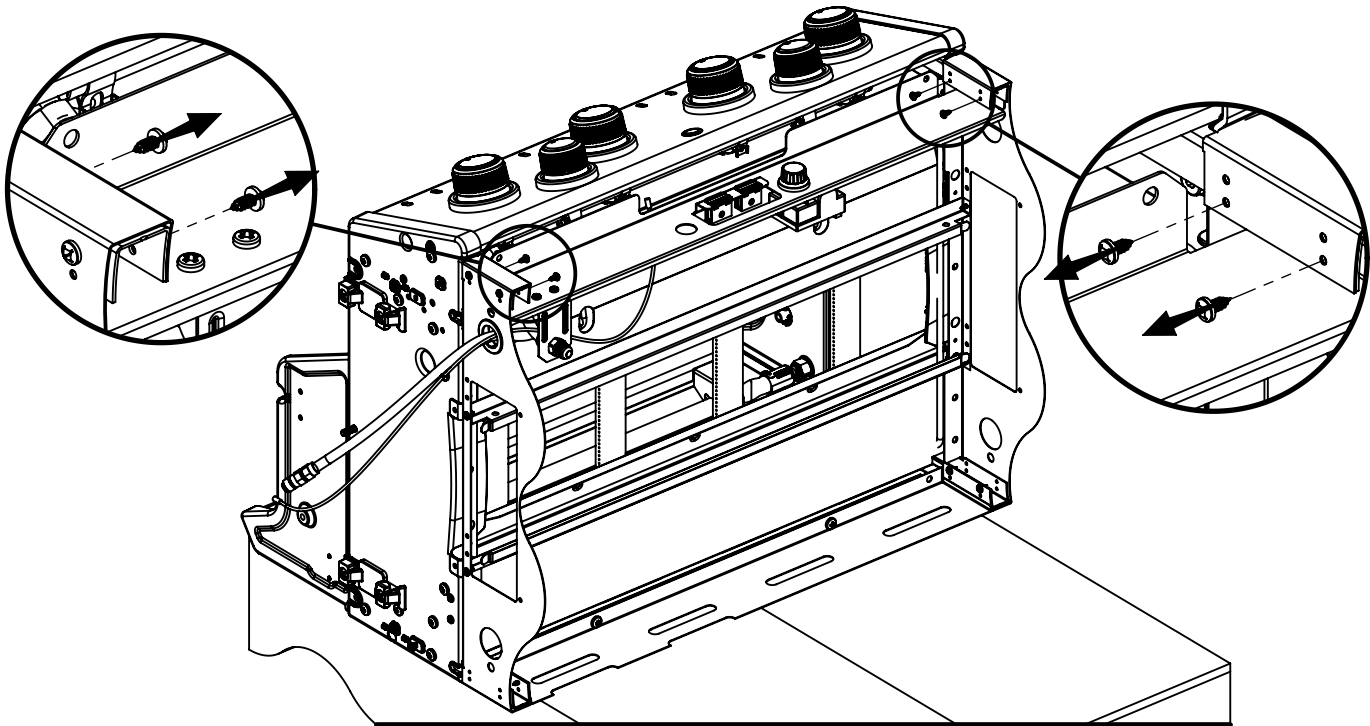
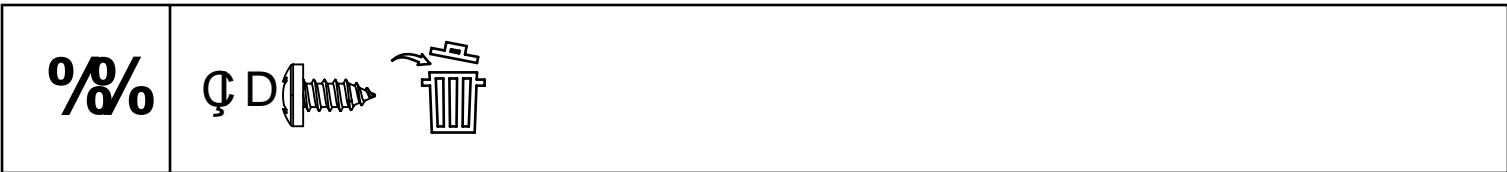


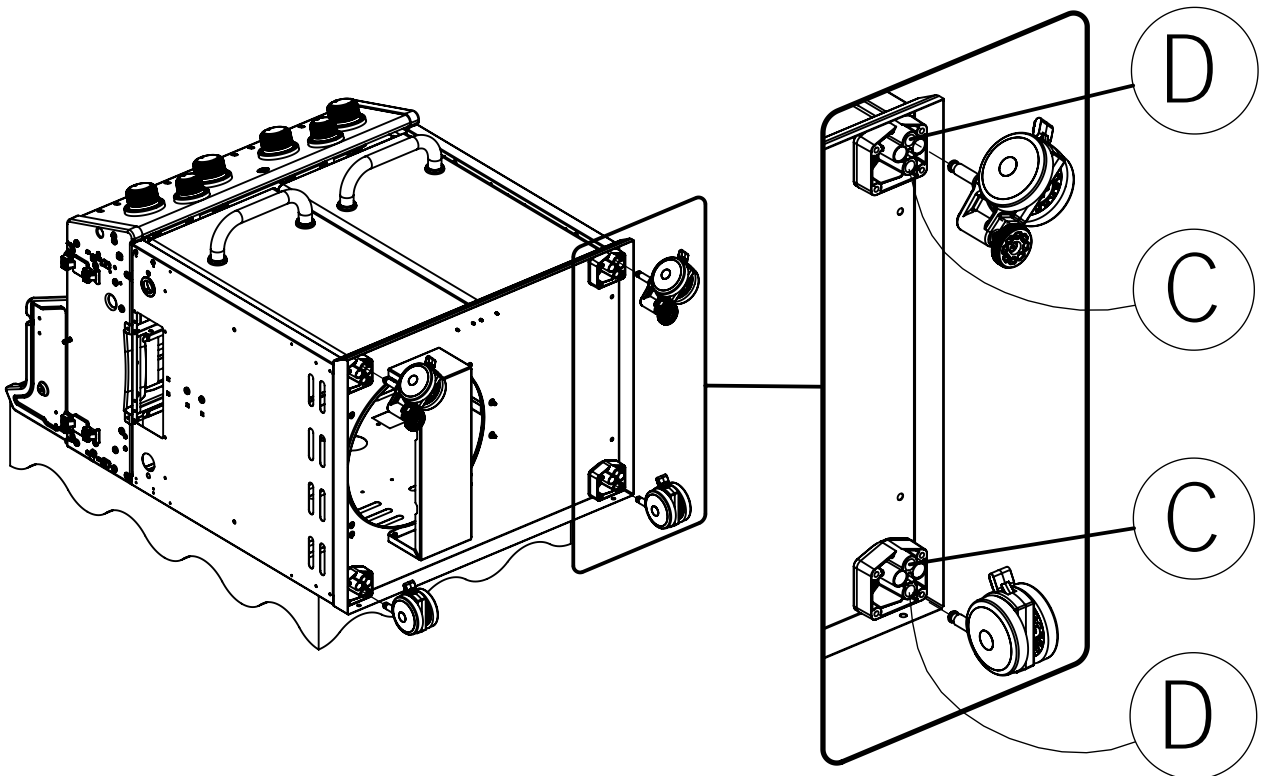
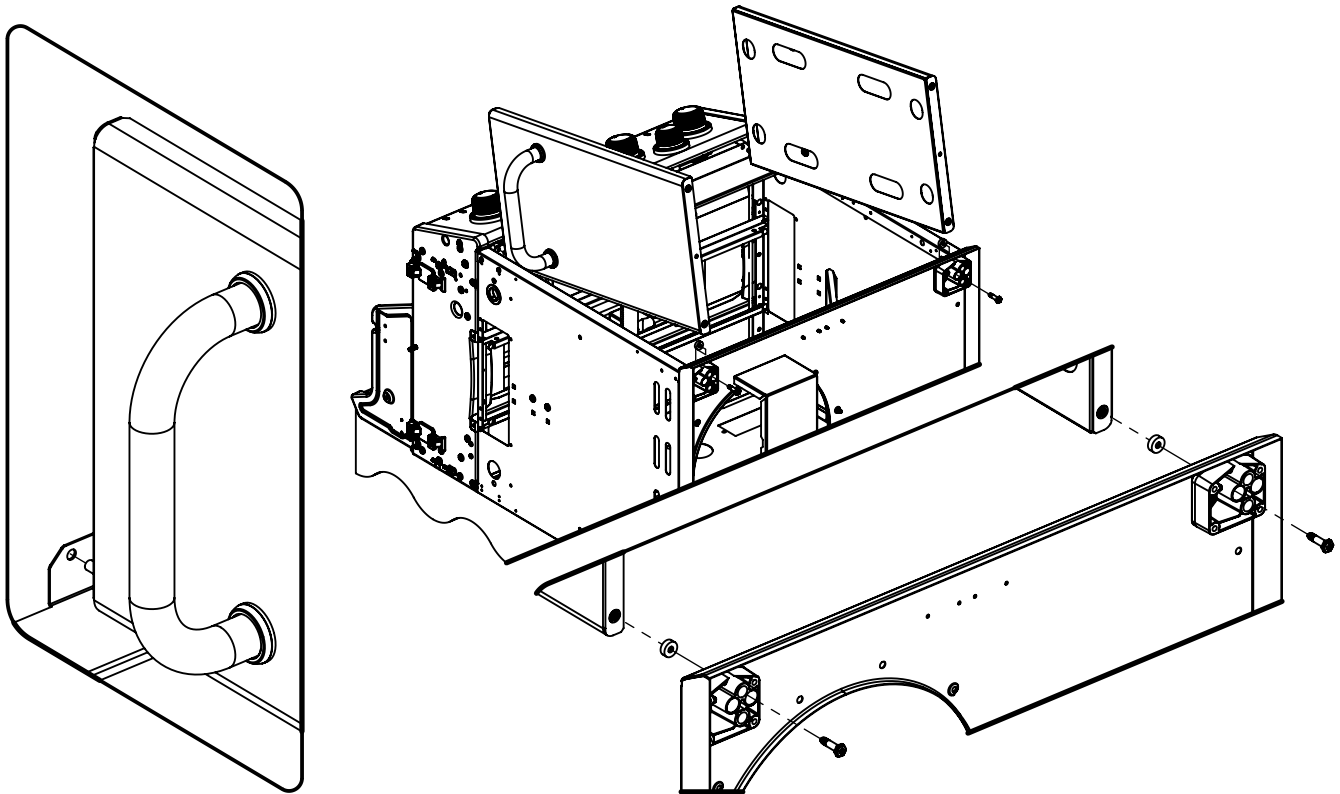
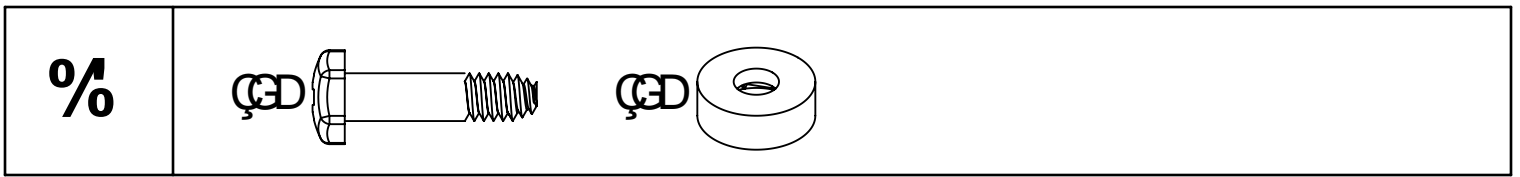




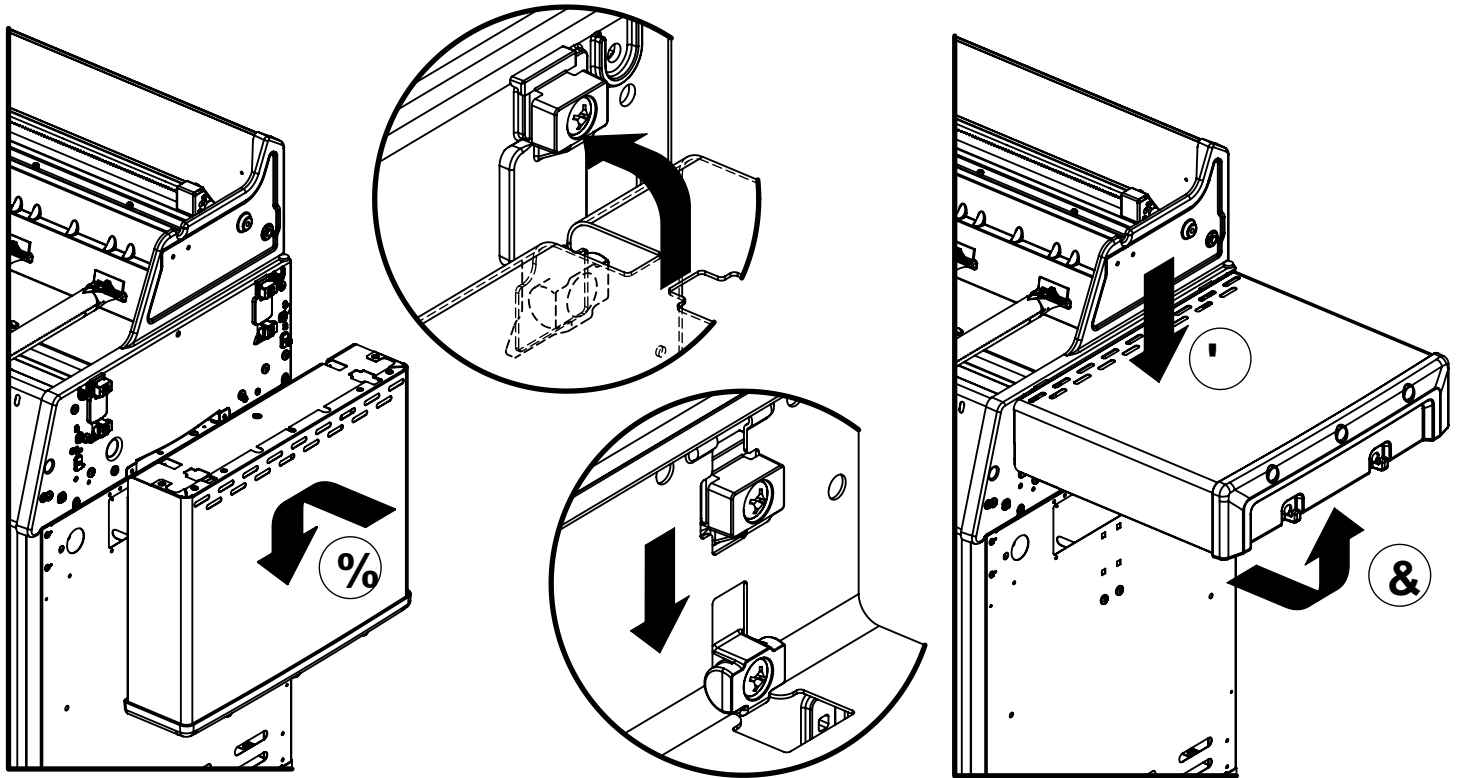




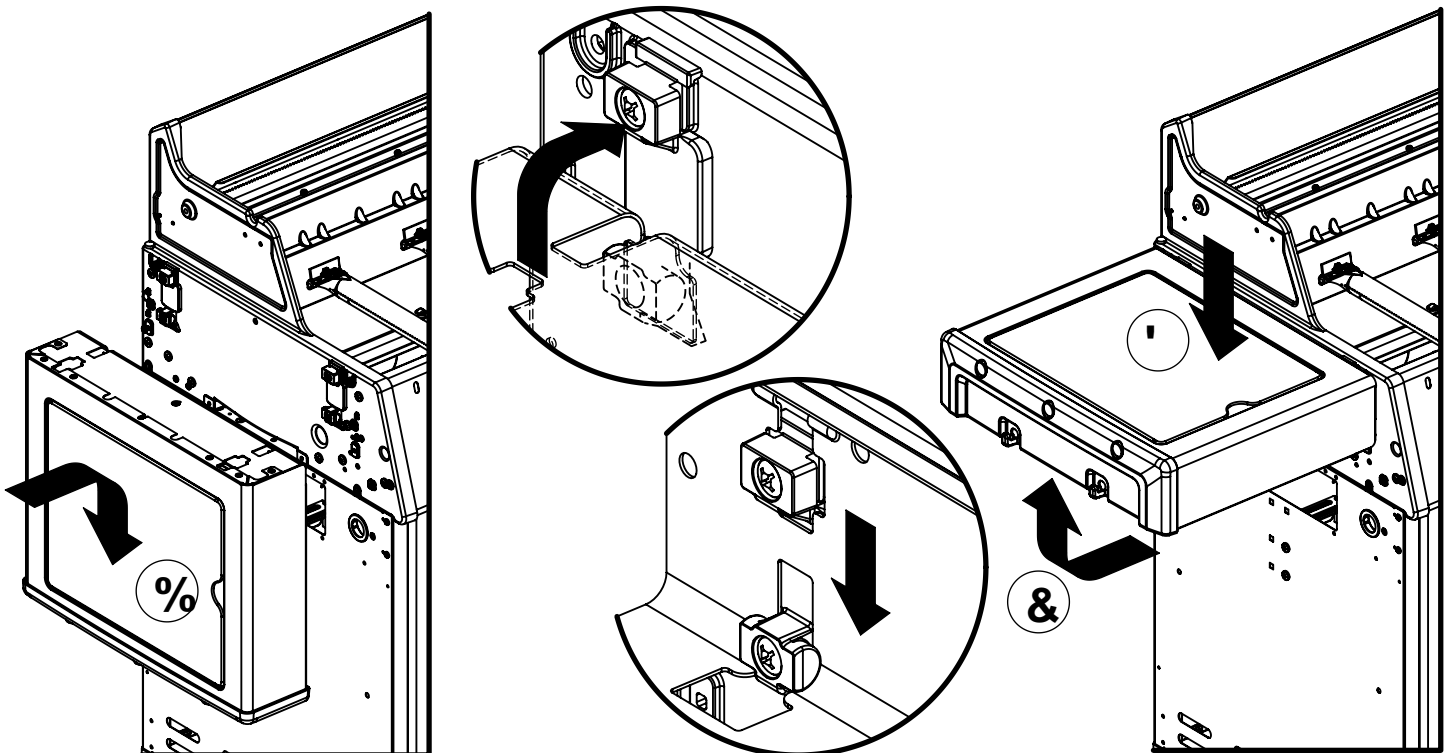


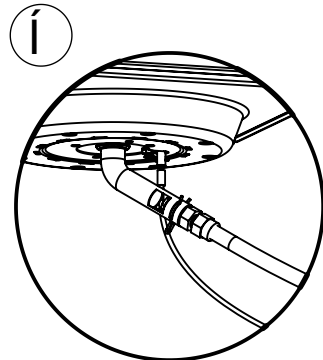
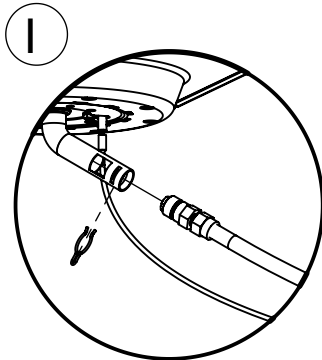
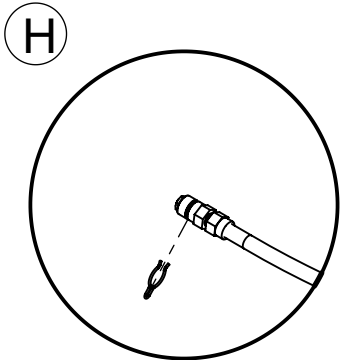
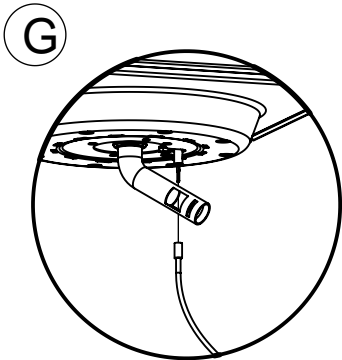
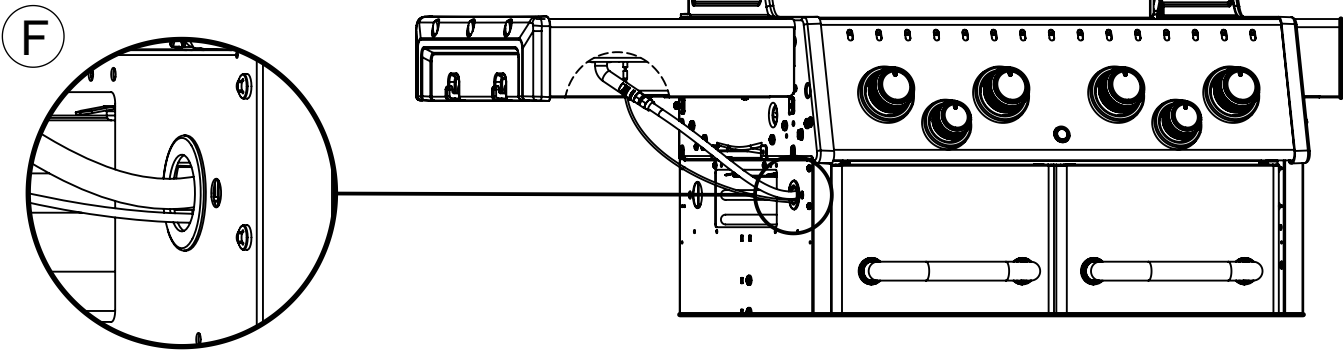
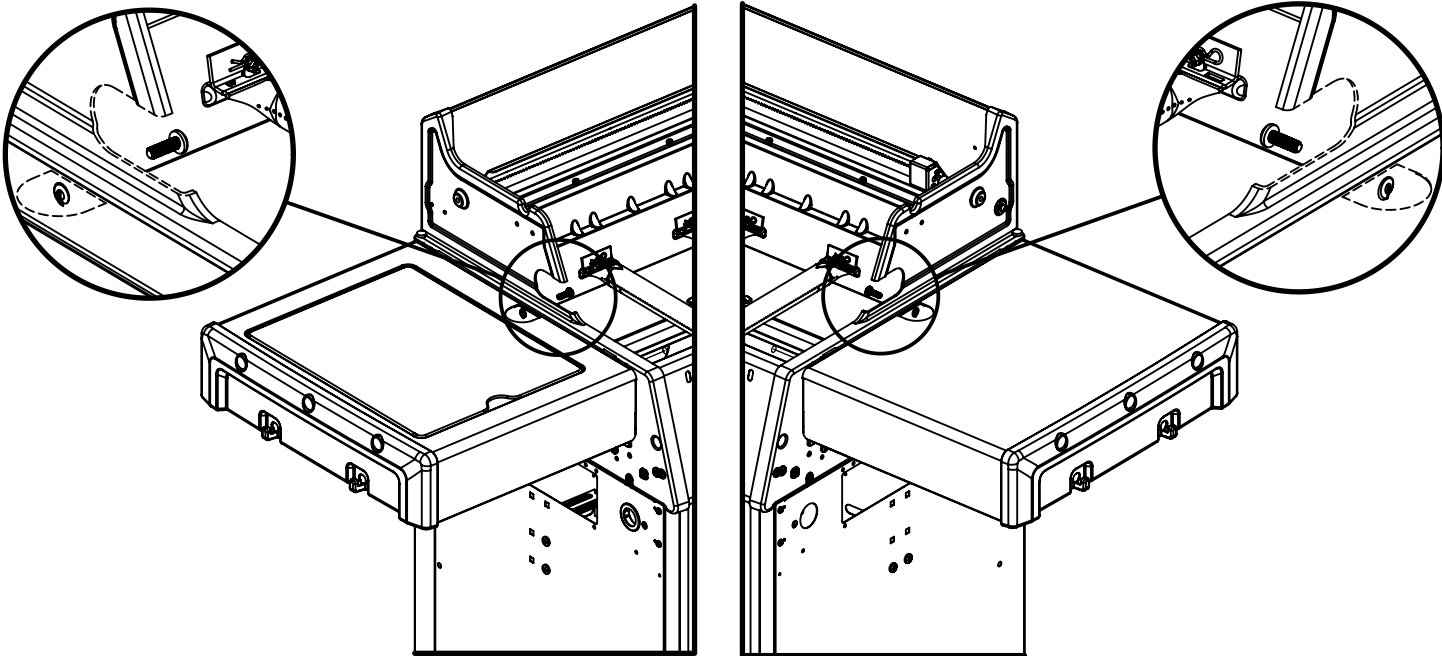
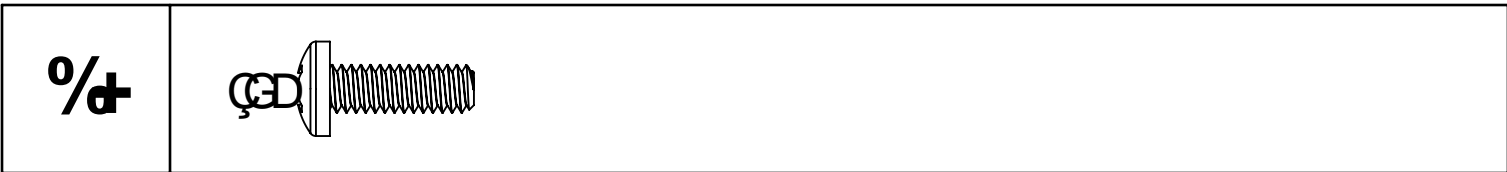


%

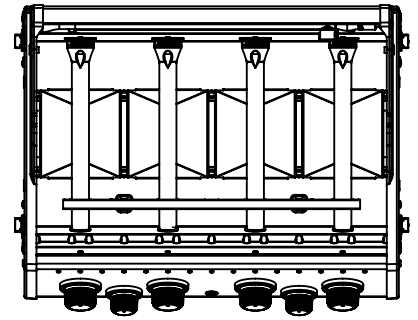
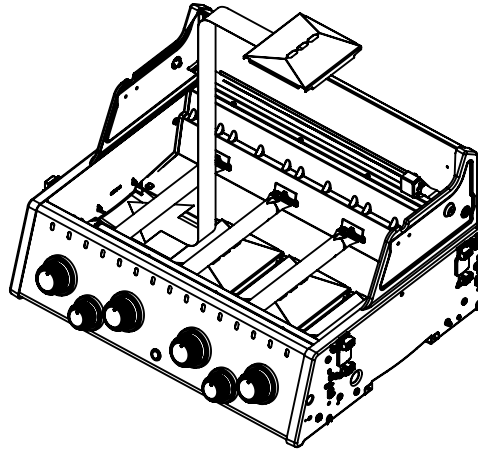
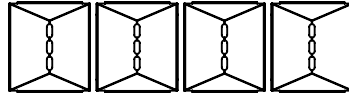
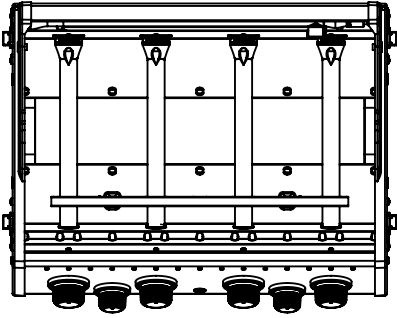


%*

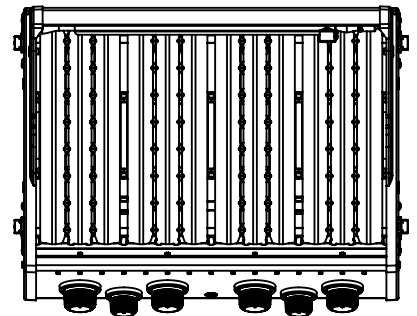
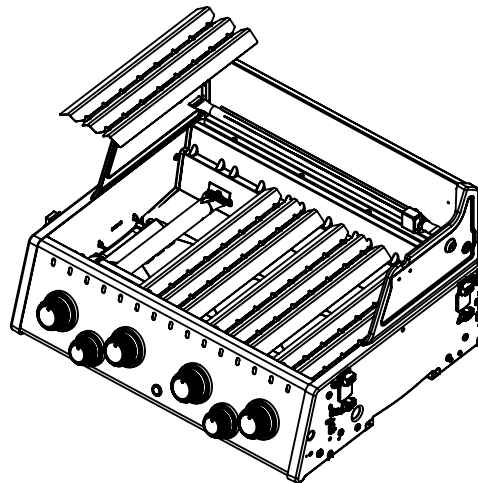
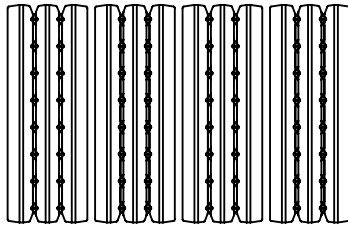
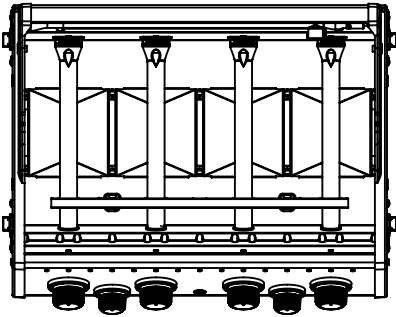




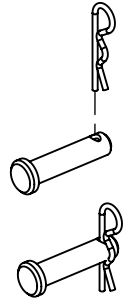
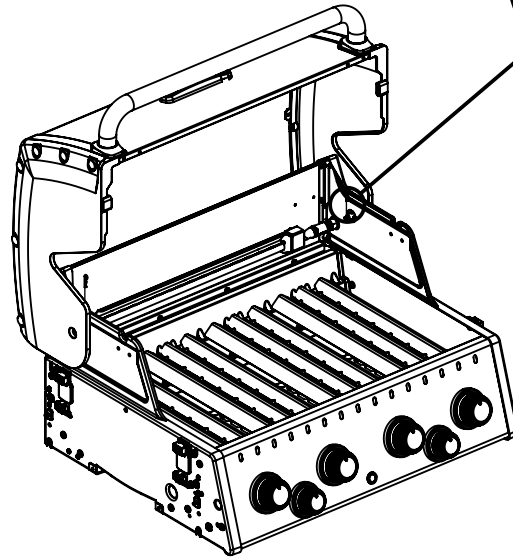
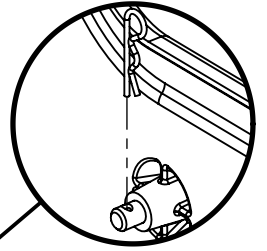
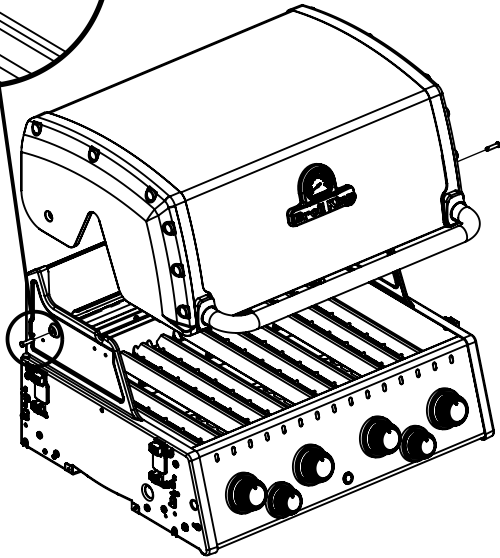
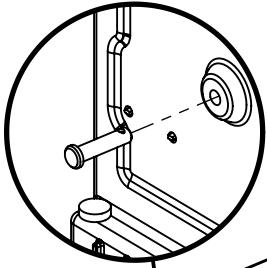
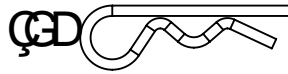
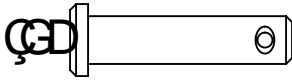
0/0



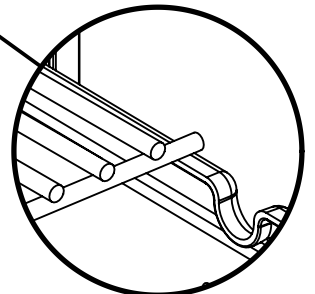
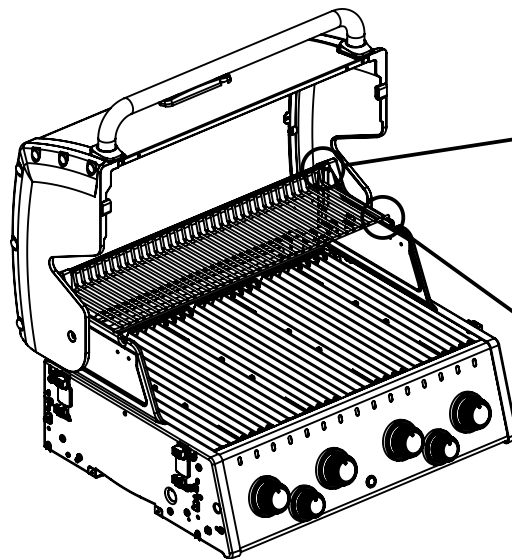
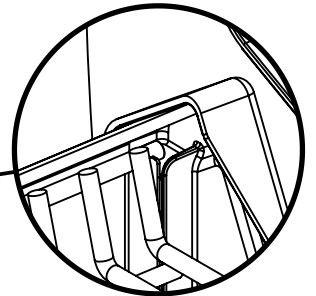
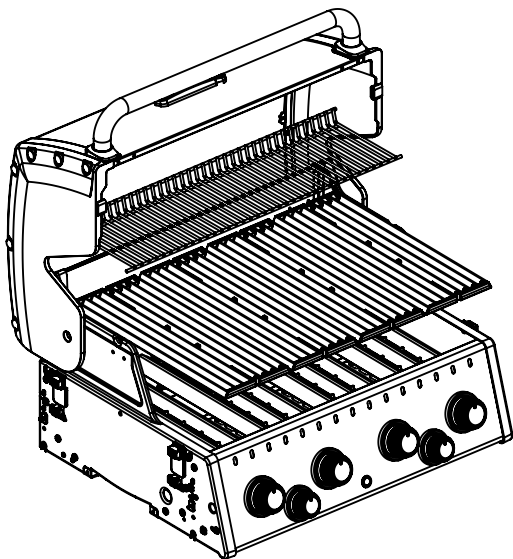
&\$

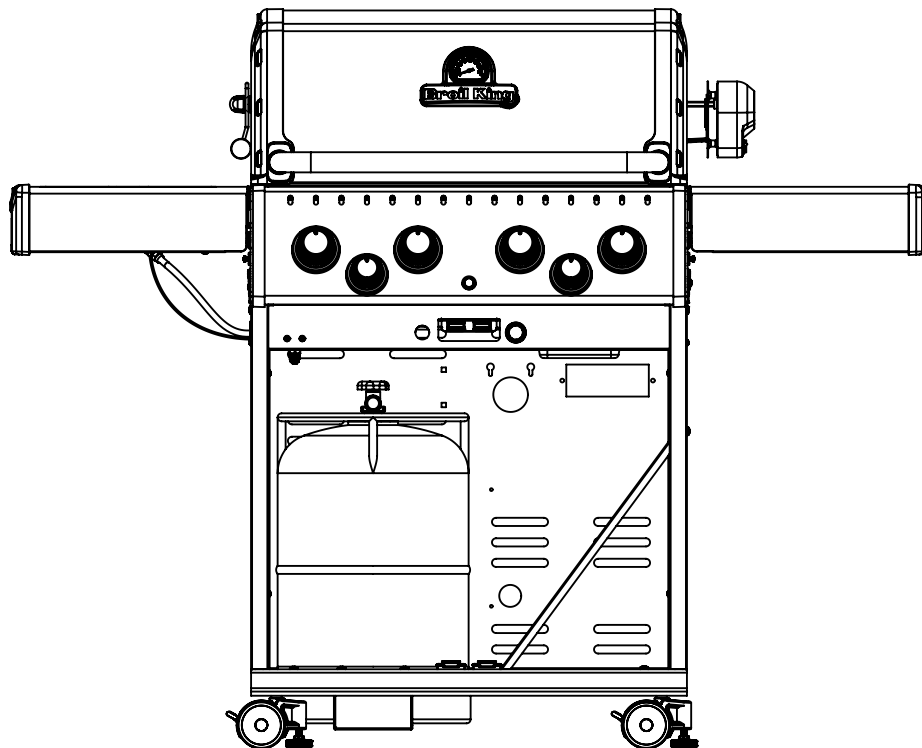
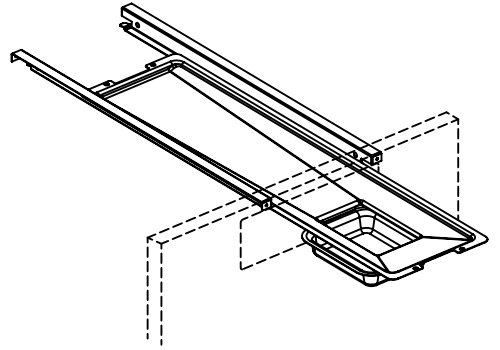
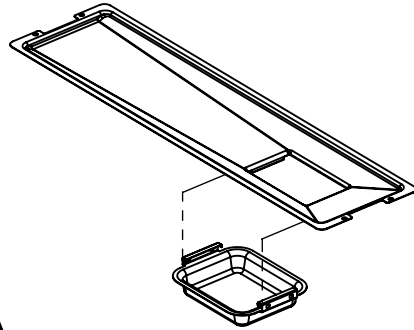
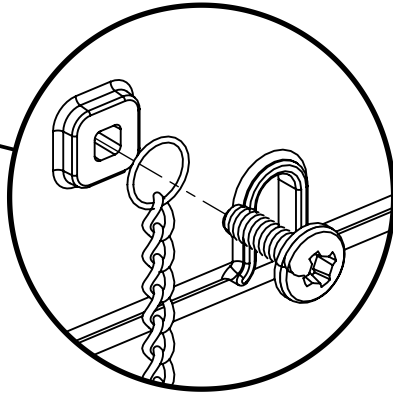
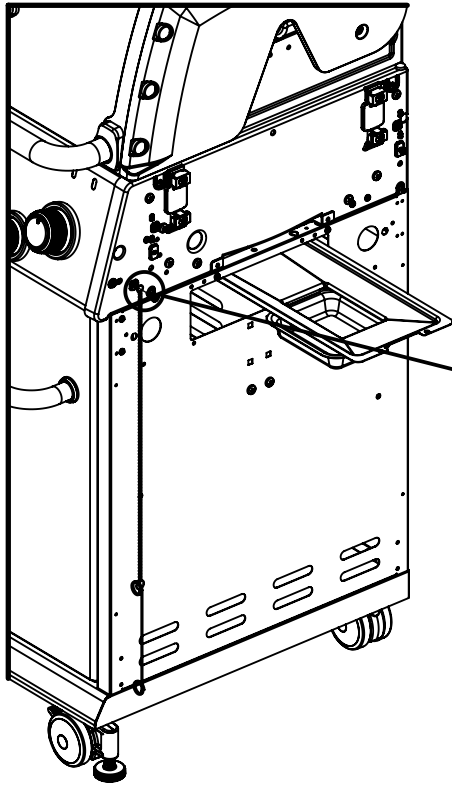
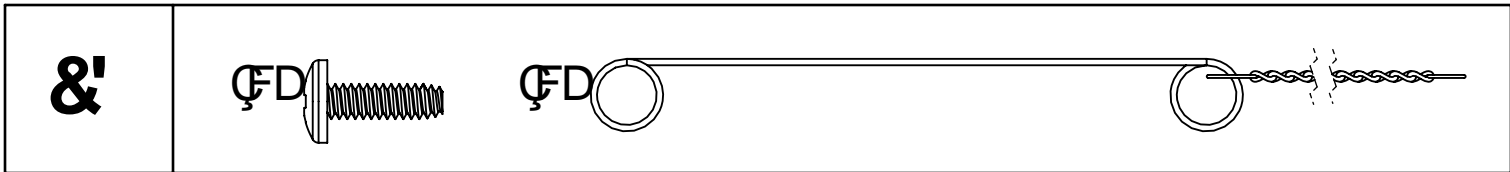


&%



&&





&

